

Omega Design's

INTELLI-PAC™

Manual Serialized Case Aggregation System



Manual Intelli-Pac is a highly configurable, end-of-line case packing and aggregation solution. The secure workflow allows for an operator to manually form, label, pack, inspect and/or seal a case.

HIGHLIGHTS

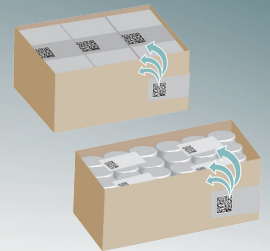
- 'Pack first, then inspect' operation designed for high integrity aggregation
- Compact, mobile design
- Ready to integrate with a serialization data management software provider

STANDARD FEATURES

- Pack table with adjustable case positioning guide
- Printer shelf
- Overhead layer inspection camera mount
- Enclosure for touch screen interface

OPTIONS

- Case label desktop printer
- Auto case labeler
- Case taper
- Additional level of aggregation (unit-to-bundle) featuring Omega's PackSync technology



Model Shown:
IPTDM

www.OmegaDesign.com

Tel: 1-610-363-6555

OMEGA
DESIGN CORPORATION



UTILITIES:

- Voltage: 120 VAC / 60 Hz
- Air: 1.5 SCFM @ 80 psig
- Utilities may vary per client specifications

PRODUCT:

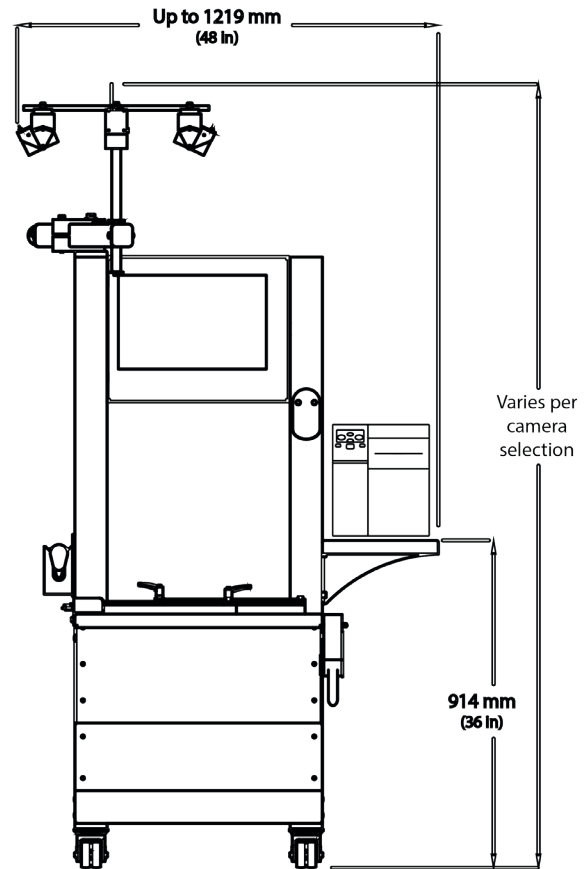
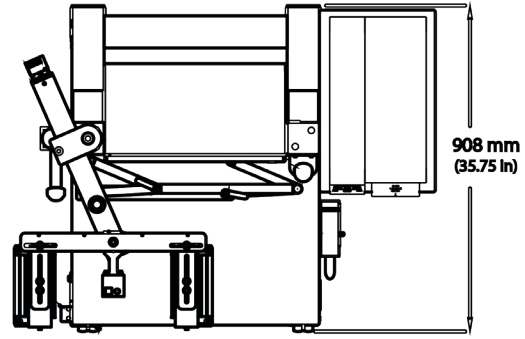
- Bottles or cartons
- Loose or bundled

CONSTRUCTION:

- Anodized aluminum and stainless steel
- Casters with leveling legs

CASE:

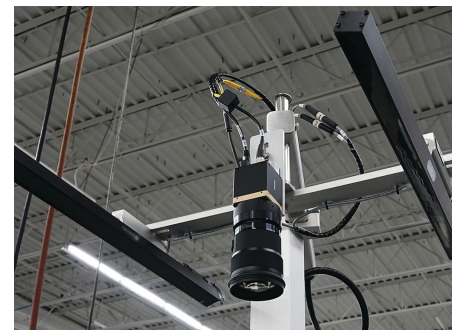
- Single or multiple layers
- Max: 600mm (23.6in) x 350mm (13.8in) x 533mm (21in)



Pack Table

Desktop printer (option)

Overhead camera (customer supplied)



Reminder Ask about our excellent track record of on-time deliveries and industry-leading FATs. Better yet, read what our clients have to say: www.omegadesign.com/testimonials