

Omega Design's

INTELLI-SORT™

Omega Bottle Unscrambler With Integral Coding and Inspection

HIGH OVERALL EQUIPMENT EFFICIENCY (OEE):

- Rapid, tool-less changeover
- Scaled adjustments

LOW TOTAL COST OF OWNERSHIP (TCO):

- No chains, air clutches or belts
- Lube-free bearings
- High efficiency air nozzles

Intelli-Sort is Omega's servo-controlled bottle Unscrambler with integrated print, vision, and reject stations. Print bottom codes on bottles to support unit level serialization, brite stock applications, and private labeling.

HIGHLIGHTS

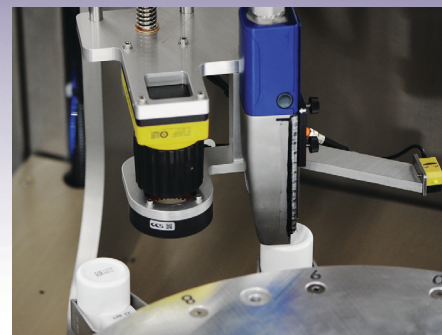
- High speed, positive bottle unscrambling
- Easy bottle loading and hopper access
- Code printing on the bottom of bottles
- Ready to integrate with serialization data management software and vision providers
- Supports Brite Stock and private labeling
- Fail-safe programming

STANDARD FEATURES

- Patented rotary pockets for positive bottle control
- Servo main drive; no chains, no air clutches
- Integrated CIJ printer and code inspection station
- Integrated reject station
- Bottle hopper
- Allen-Bradley touch screen and CompactLogix PLC
- Allen-Bradley PowerFlex VFDs
- Sound abatement enclosure

OPTIONS

- Integrated desiccant feeder
- Integrated ionized air rinse
- Adjustable sorter (reduce change parts)
- Adjustable chute (reduce change parts)
- UV laser



Code and inspect



Model Shown:
4D-SRP

www.OmegaDesign.com

Tel: 1-610-363-6555

OMEGA
DESIGN CORPORATION

UTILITIES:

- Voltage: 208/240/480 VAC, 50/60 Hz
- Air: 8-24 SCFM @ 80 psig
- Utilities may vary per client specifications

PRODUCT:

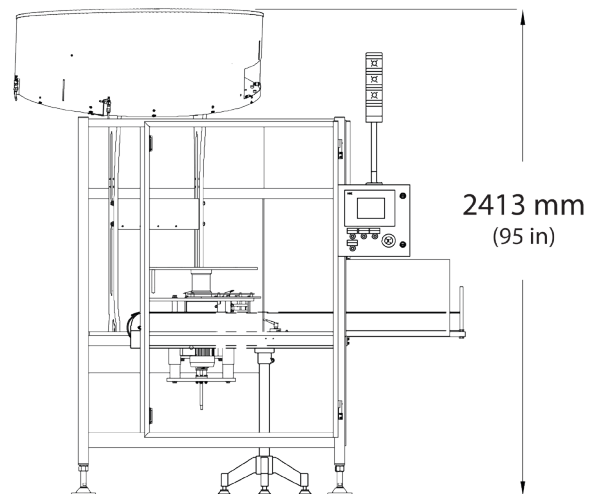
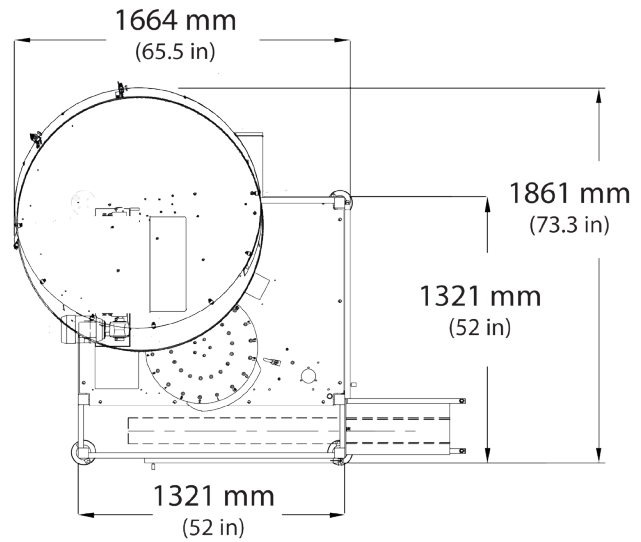
- Bottle Profile: round, square, asymmetric, tottle
- Application: empty bottles or filled (i.e. Brite Stock)

CONSTRUCTION:

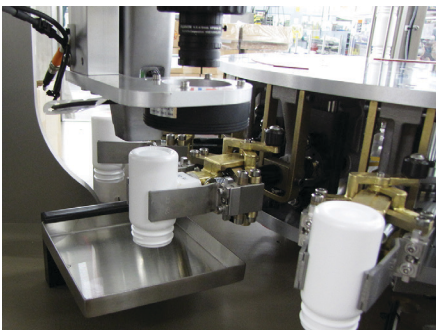
- Stainless steel and anodized aluminum construction
- Leveling legs
- Printer mounting with quick adjustment
- Allen-Bradley CompactLogix PLC
- Allen-Bradley PowerFlex VFDs

SPEED:

- Up to 350 bottles per minute



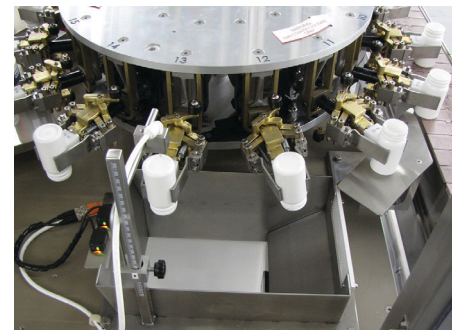
Code and Inspect



Rotating Pocket



Integrated Reject Station



Reminder Ask about our excellent track record of on-time deliveries and industry-leading FATs. Better yet, read what our clients have to say: www.omegadesign.com/testimonials